

Written by: Henri Lagneau

Checked by: Nick Santos

Project: EC6072

Customer: VA-KO

FINAL ASSESSMENT REPORT

NoBo Mission

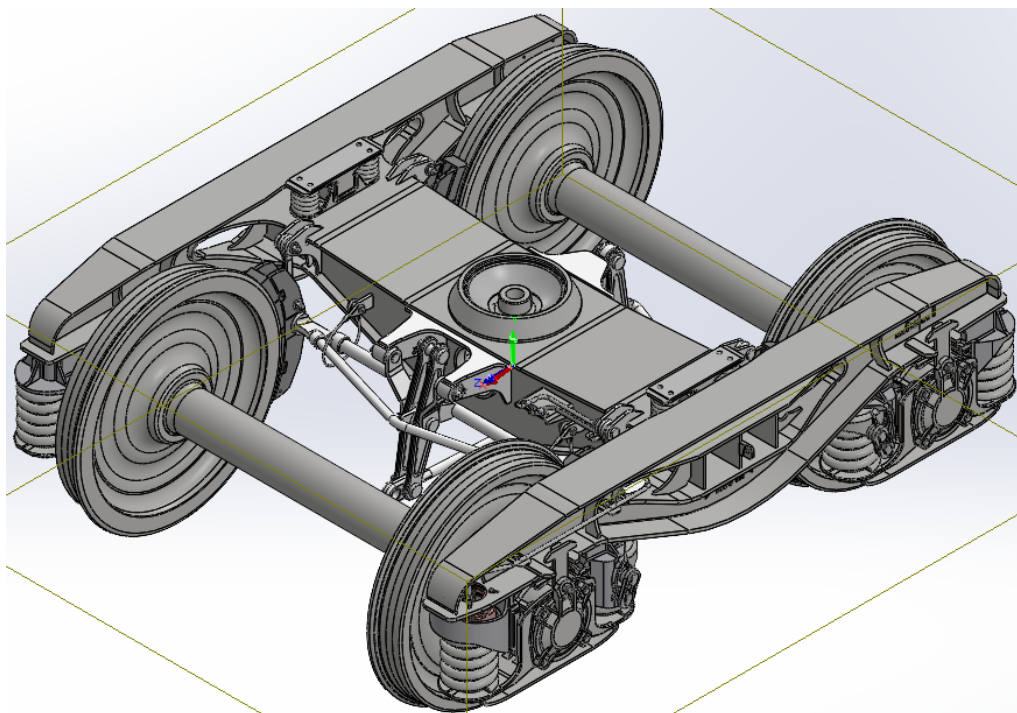
TSI WAG

DESIGN EXAMINATION (module CH1)

INTEROPERABILITY CONSTITUENT:

RUNNING GEAR

Y25Lsd-K




CONFIDENTIAL

LIST OF SUCCESSIVE VERSIONS:

Version	Date	Changes
1DA	13/11/2022	Initial version
1	24/11/2022	Officialization

The latest version supersedes the previous.

VALIDATION:

	Signature
Name: Nick Santos Function: Project Manager	

People who have written and checked this report (listed on the cover) approved it using secure electronic authorization, with CERTIFER's EDM software keeping a trace of it.

Table of Content

1. CONTEXT OF THE PROJECT	4
1.1. GENERAL.....	4
1.2. IDENTIFICATION OF THE PRODUCT SUBJECT TO CONFORMITY ASSESSMENT	4
1.3. IDENTIFICATION OF REFERENCE DOCUMENTS	4
1.4. IDENTIFICATION OF ASSESSMENT PLAN	4
1.5. IDENTIFICATION OF THE PRODUCT DESIGNER OR MANUFACTURER	4
1.6. NAME AND FUNCTION OF STAKEHOLDERS (INCLUDING SUBCONTRACTORS) IN CHARGE OF THE ASSESSMENT	4
1.7. SCOPE OF THE ASSESSMENT DESCRIBED IN THIS REPORT.....	5
1.8. RESTRAINTS AND ASSUMPTIONS RELATED TO THE COMPLIANCE ASSESSMENT	5
2. DESCRIPTION OF THE ASSESSMENT WORK	5
2.1. ASSESSMENT METHODS	5
2.2. MEASUREMENTS OR TESTS.....	5
2.2.1. <i>Measurements or tests performed by or on behalf of CERTIFER</i>	5
2.2.2. <i>Measurements or tests accepted as input data</i>	5
2.3. IDENTIFICATION OF THE DOCUMENTS OR PRODUCTS ASSESSED	5
2.4. DEVELOPMENT PROCESS OF THE ASSESSMENT TASK	5
3. RESULTS	6
3.1. EXCHANGE BETWEEN VA-KO AND CERTIFER.....	6
3.2. ASSESSMENT OF CONFORMITY WITH THE TECHNICAL SPECIFICATION FOR INTEROPERABILITY RELATING TO THE 'ROLLING STOCK — FREIGHT WAGONS' SUBSYSTEM	6
3.3. AREA OF USE OF THE RUNNING GEAR Y25LSD-K	6
4. CONCLUSION	7

List of attached documents

[PJ 1] EC_6072_0020_02_Clause-by-clause TSI-WAG-Running-Gear

1. Context of the Project

1.1. General

This CERTIFER project is part of a notified body (NoBo) assignment in the field of the technical regulations and specifications for interoperability.

1.2. Identification of the product subject to conformity assessment

The purpose is to submit interoperability constituent Running Gear Y25Lsd-K to a Design Examination following module CH1. The constituent is designed and manufactured by VA-KO.

1.3. Identification of reference documents

- Directive (EU) 2016/797 of the European parliament and the council of 11 May 2016 on the interoperability of the rail system within the European Union as amended
- COMMISSION REGULATION (EU) No 321/2013 of 13 March 2013 concerning the technical specification for interoperability relating to the subsystem 'rolling stock — freight wagons' of the rail system in the European Union and repealing Decision 2006/861/EC
Amended by:
 - Commission Regulation (EU) No 1236/2013 of 2 December 2013
 - Commission Regulation (EU) 2015/924 of 8 June 2015
 - Commission Implementing Regulation (EU) 2019/776 of 16 May 2019
 - Commission Implementing Regulation (EU) 2020/387 of 9 March 2020Addressing in particular:
 - 5.3. Interoperability constituent specifications
- Commission decision of 9 November 2010 on modules for the procedures for assessment of conformity, suitability for use and EC verification to be used in the technical specifications for interoperability
- Technical Document of ERA 000MRA1044 version 1.1 of June 2017
- NB-RAIL – Recommendation For Use : RFU-RST-097

1.4. Identification of Assessment Plan

EC_4659_0001 version 1 (06/09/2022)

1.5. Identification of the product designer or manufacturer

VA-KO

Fatih Sultan Mah. 2368 Sok. No:6
Çamlıkpark , Etimesgut / Ankara

1.6. Name and function of stakeholders (including subcontractors) in charge of the assessment

Project Manager	Nick Santos Olivera
Lead Assessor	Henri Lagneau
Technical Expert	Henri Lagneau

1.7. Scope of the assessment described in this report

This assessment follows TSI § 6.1.1. *Table 8 Modules for conformity assessment of interoperability constituents*. VA-KO has decided for Module CH1, Conformity based on full quality management system plus design examination. This report describes the Design Examination.

The examination is a review of the design files of the constituent running gear Y25Lsd-K under assessment. The applicable technical requirements are listed in TSI § 5.3. Interoperability constituent specification: § 5.3.1. Running gear.

1.8. Restraints and assumptions related to the compliance assessment

This Y25Lsd-K bogie is derived from the Y25 Lsdi(f)-KC1 bogie, equipped with a Wabtec MZT IBB10 brake system successfully examined in EC_9932_0020_02_Assessment Report _Y25LSDI(F)-KC1.

2. Description of the assessment work

2.1. Assessment methods

CERTIFER carries out the assessment with respect to its Quality Management System.

For NoBo mission CERTIFER is accredited under n°5-0572 by the “Industrial Products and service Certification” section of COFRAC (French Committee of Accreditation) according to NF EN ISO CEI 17065:2012. The scope is available on www.cofrac.fr.

The assessment is carried out by an Assessor in the Technical Field who is appointed by one of the Section Committees of CERTIFER.

The final report is edited by the Assessor, under the supervision of the Project Manager.

2.2. Measurements or tests

2.2.1. Measurements or tests performed by or on behalf of CERTIFER

NA

2.2.2. Measurements or tests accepted as input data

The Test Centre for Railway Rolling Stock and Containers VÚKV a. s., Bucharova 1314/8, CZ-158 00 Praha 5, carried out the static strength test and the fatigue test on the Bogie Frame of the Y25 Bogie for Freight Wagon.

The tests were prepared and carried out by the staff of the Dynamic Testing Laboratory No. 1047, Výzkumný a zkušební ústav, s.r.o, Plzeň in cooperation with and under technical supervision of the Test Centre for Rail Vehicles and Containers VÚKV a.s., accredited Testing Laboratory No. 1085.

The test results are trustfully acceptable.

2.3. Identification of the documents or products assessed

The constituent running gear Y25Lsd-K under design examination is defined by the documents in the list “Documents” of workbook [PJ 1].

2.4. Development process of the assessment task

The development of the assessment took place from 29/09/2022 until now.

The assessment of constituent running gear Y25Lsd-K is carried out following the Assessment Plan in Article 2.2. third paragraph.

CERTIFER has not subcontracted any part of the work.

3. Results

3.1. Exchange between VA-KO and CERTIFER

The exchanges between the applicant and CERTIFER were carried out by email. All of the questions and documents requests have been satisfactorily answered and are closed.

The point is completely satisfying.

3.2. Assessment of conformity with the technical specification for interoperability relating to the 'rolling stock — freight wagons' subsystem

The assessment is recorded in the attached document [PJ 1]. According to the expert opinion, in view of the explanations given by the applicant and the results of the assessment of the design documents, the constituent running gear Y25Lsd-K is compliant with:

- the Interoperability constituent specification clause 5.3.1. Running gear
- the clause 4.2.3.5.2. Running dynamic behaviour
- the clause 4.2.3.6.1. Structural design of bogie frame
- the demonstration of conformity 6.1.2.1. Running gear
- the Design Examination module CH1.

The demonstration of conformity of constituent running gear Y25Lsd-K is acceptable.

3.3. Area of use of the running gear Y25Lsd-K

Parameter	Running gear Y25Lsd-K
— Track gauge	1435 mm
— Maximum speed	100 km/h (Loaded) 120 km/h (Empty)
— Maximum cant deficiency	130 mm
— Minimum tare of the unit	16 t
— Maximum axle load	22,5 t
— Range of distances between bogie pivots or range of wheelbase of 'two-axle units'	6,5 m ~ 20,0 m
— Maximum height of centre of gravity of empty unit	860 mm
— Coefficient of height of centre of gravity of loaded unit	145.3
— Minimum torsional stiffness coefficient of car body	$0.5 \cdot 10^{10}$ kN.mm ² /rad
— Maximum mass distribution coefficient for empty units	0,55
— Minimum nominal wheel diameter	Ø840 mm
— Rail inclination	1:20, 1:30 and 1:40

The area of use of constituent is clearly defined.

Nota: these results relate exclusively to the elements of the service described in the paragraph 1 above.

4. Conclusion

The assessment process has concluded that:

- the Design Examination is carried out following module CH1
- the running gear Y25Lsd-K under examination complies with the specification applicable to interoperability constituent running gear of TSI-WAG
- the area of use of this type of running gear is clearly defined

The assessment team is in agreement with the "EC" certification (module CH1) of the running gear Y25Lsd-K following TSI N°321/2013 of 13 March 2013 amended by Regulation (EU) 1236/2013 of 2 December 2013, Regulation (EU) 2015/924 of 8 June 2015, Regulation (EU) 2019/776 of 16 May 2019 and Regulation (EU) 2020/387 of 9 March 2020.
